

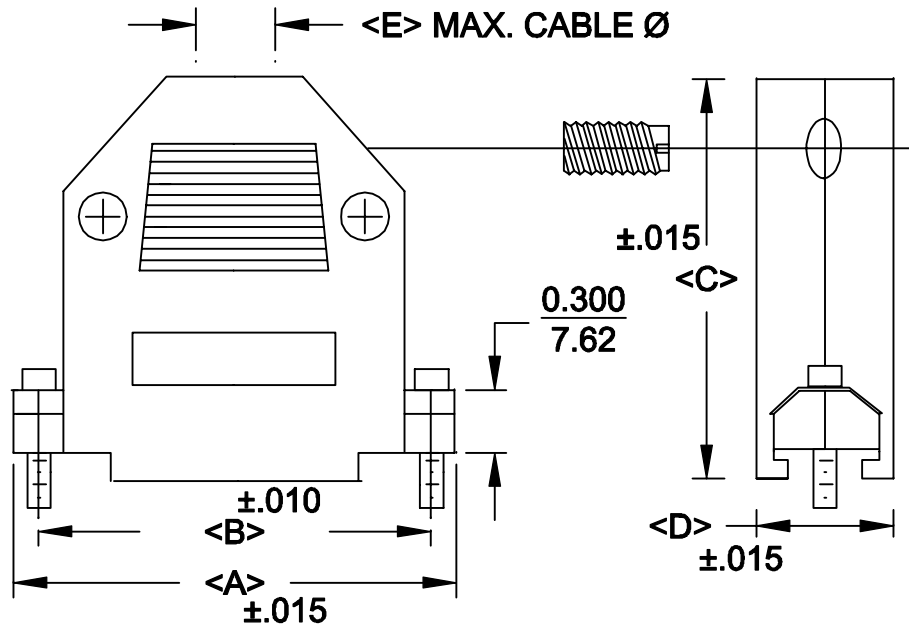
DESCRIPTION: **978 SERIES D-SUB BACKSHELL**

**BACKSHELL KIT INCLUDES:**

- (2) BACKSHELL HALVES
- (2) 4-40 MOUNTING SCREWS
- (2) SADDLE WASHERS
- (2) HOUSING SCREWS
- (2) 4-40 HOUSING NUTS
- (1) STRAIN RELIEF THREADED ROD

**978-XXX-XXX-XX1**


SERIES \_\_\_\_\_  
 POSITIONS \_\_\_\_\_  
 009 \_\_\_\_\_  
 015 \_\_\_\_\_  
 025 \_\_\_\_\_  
 037 \_\_\_\_\_  
 050 \_\_\_\_\_  
 MATERIAL \_\_\_\_\_  
 010 = PLASTIC  
 020 = METALIZED PLASTIC  
 COLOR: \_\_\_\_\_  
 03 = GREY  
 12 = NICKEL OVER COPPER  
 PUT-UPS \_\_\_\_\_  
 1 = KIT



POS	A	B	C	D	E
9	1.220	.984	1.693	.655	.276
	31.00	24.99	43.00	16.64	7.00
15	1.535	1.312	1.693	.655	.315
	39.00	33.32	43.00	16.64	8.00
25	2.118	1.852	1.929	.655	.374
	54.00	47.04	49.00	16.64	9.50
37	2.756	2.500	1.929	.655	.433
	70.00	63.50	49.00	16.64	11.00
50	2.650	2.406	1.909	.655	.551
	67.30	61.11	48.50	16.64	14.00

**METALIZED PLASTIC:**  
 MATERIAL: ABS HIGH TEMPERATURE 94HB  
 METALIZED PLATING: CHROME

**PLASTIC:**  
 MATERIAL: ABS HIGH TEMPERATURE 94HB  
 GREY

	THESE DRAWINGS AND SPECIFICATIONS ARE THE PROPERTY OF NorComp AND SHALL NOT BE REPRODUCED, COPIED OR USED AS THE BASIS FOR THE MANUFACTURE OR SALE OF APPARATUS WITHOUT WRITTEN PERMISSION.		DRAWN: <b>PAM JENKINS</b>	DATE: <b>8-6-98</b>
			CHECKED:	DATE:
<b>NorComp</b>			SCALE	SHEET OF
			DWG NO. <b>978-XXX-0X0-XX1</b>	